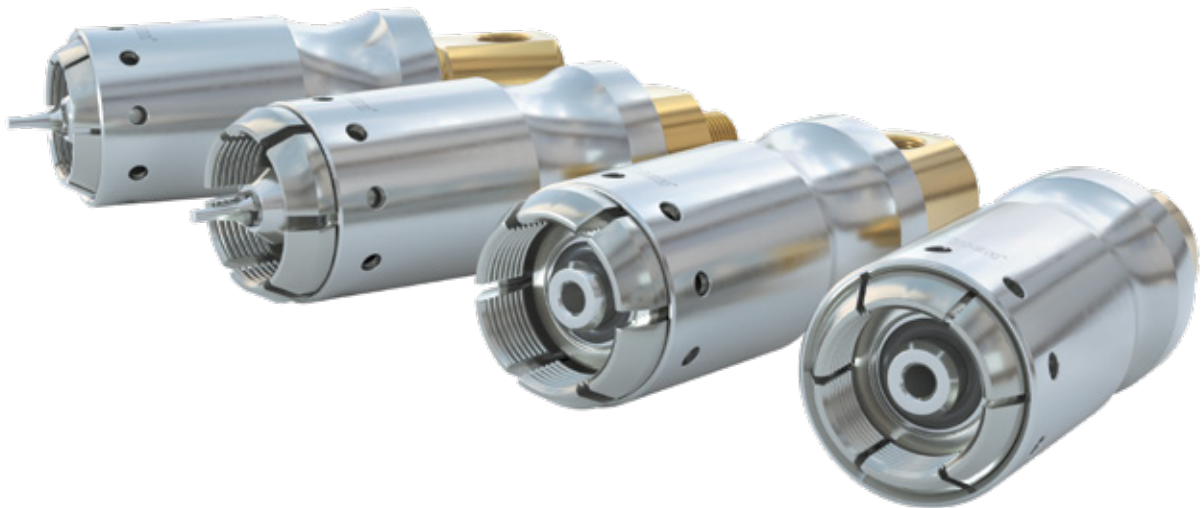


Type **TW152**

WEH[®] Quick connector for filling of oxygen cylinders

with male thread (with or without a residual pressure valve) and pressure regulator



General

DESCRIPTION



Features

- For oxygen cylinders with male thread (with or without a residual pressure valve) and pressure regulator
- Connection in seconds
- No hand tightening required
- Automatic locking of the sliding sleeve under pressure prevents disconnection at pressures exceeding 5 bar
- Inline or 90° version available
- WEH® Jaw locking mechanism
- High-grade materials

The WEH® TW152 Quick connector is designed to achieve easier and more efficient filling of oxygen cylinders because it can be connected directly to the standard thread of the cylinder valve.

The function is quite simple: pull back the sliding sleeve and place the filling connector onto the male thread of the cylinder valve. The split collet design system locks securely onto the cylinder valve thread and seals tightly.

The connector has an internal locking mechanism preventing disconnection under pressure. WEH® TW152 can be connected to cylinder valves with or without a residual pressure valves and valves with integrated pressure regulators. Due to its compact design, it is also suitable for use in confined spaces.

This quick connector is available for gas cylinder valves acc. to DIN, BS, NF, CGA etc. Connectors for oxygen applications are oxygen cleaned and free of oil and grease.



TW152 with RPV pin

Application

Quick connector for filling of oxygen cylinders with male thread (with or without a residual pressure valve) and pressure regulator.

TECHNICAL DATA

Characteristics	Basic version
Nominal bore (DN)	5 mm
Max. allowable operating pressure PS	250 bar
Temperature range	+5 °C up to +60 °C (O ₂)
Connection A	Male thread connection acc. to the corresponding national standard e.g. DIN, CGA, BS, NF etc.
Medium	Medical oxygen
Actuation	Manual actuation via sliding sleeve
Material	Corrosion resistant stainless steel, brass, Monel®
Sealing material	EPDM
Design	With or without RPV pin
Conformity / Tests / Approvals	Type approval for suitability against adiabatic compression available

Other designs on request

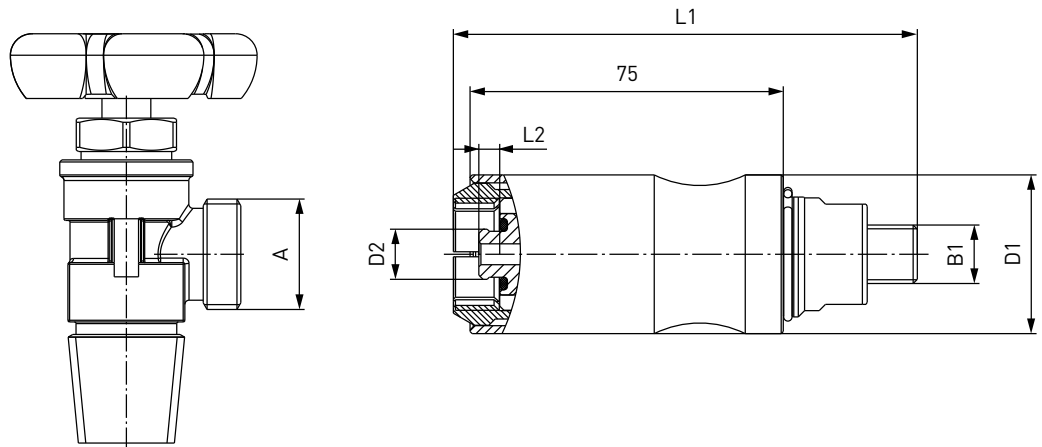
Example of use:



Ordering

ORDERING | WEH® TW152 Quick connector with inline media inlet

approx. dimensions (mm)



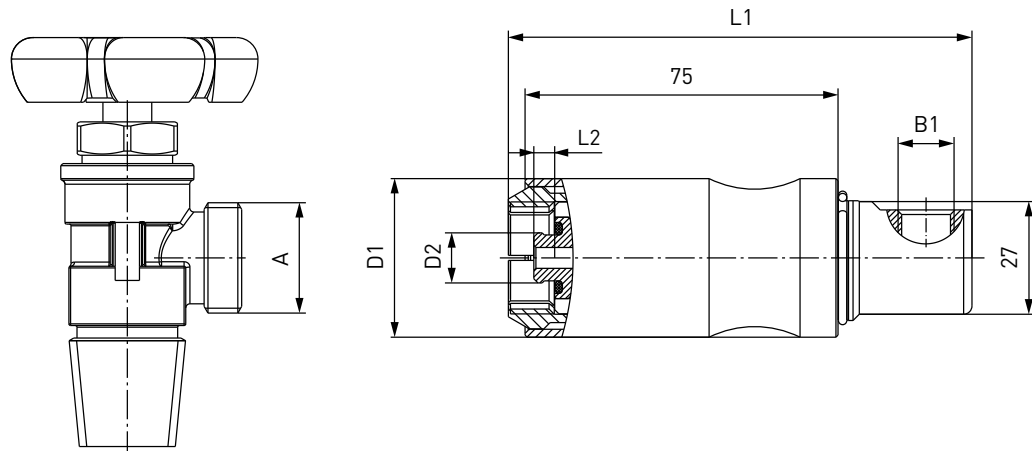
Part No.	Description	A (male thread)	B1 (male thread)	D1	D2	L1	L2
C1-62956-X01	TW152	W21.8x1/14" <i>DIN 477 part 1</i>	NPT 1/4"	38	12	111	5
C1-47060-X01	TW152	0.903-14 NGO-RH <i>CGA 540</i>	NPT 1/4"	38	-	111	-
C1-55583-X01*	TW152	0.903-14 NGO-RH <i>CGA 540</i>	NPT 1/4"	38	-	122	-

* with RPV pin

Ordering

ORDERING | WEH® TW152 Quick connector with 90° media inlet

approx. dimensions (mm)



Part No.	Description	A (male thread)	B1 (female thread)	D1	D2	L1	L2
C1-62957-X01	TW152	W21.8x1/14" <i>DIN 477 part 1</i>	NPT 1/4"	38	12	111	5
C1-49930-X01	TW152	0.903-14 NGO-RH <i>CGA 540</i>	NPT 1/4"	38	-	111	-
On request	TW152*	0.903-14 NGO-RH <i>CGA 540</i>	NPT 1/4"	38	-	122	-

* with RPV pin

Other connection sizes and types on request.

Required information for ordering see page 7, catalog no. 20.

Accessories / Spare parts

ACCESSORIES

The following accessories are available for the WEH® TW152 Quick connector:

WEH® TD1 Swivel joint

The WEH® TD1 prevents twisting of the filling hose and and simplifies radial alignment of the connector.



Part no.	Description	B1	B2
On request	TD1	On request	On request

WEH® THP40 Pressure hose

Pressure hose for connection of technical gas plants, such as gas filling plants, with WEH® Connectors.



Part no.	Description	B1	B2
On request	THP40	On request	On request

Adaptors

Adaptors for connecting the quick connector to the filling hose are available on request.

Monel® construction

All pressurized parts are also available in Monel®. Please contact us!

SPARE PARTS

Various parts are available as spares for the WEH® TW152 Quick connector.

Part No.	Description
E50-109S614	O-ring (for C1-62956-X01, C1-62957-X01)
E50-46786-S611	O-ring (for C1-47060-X01, C1-49930-X01)
E50-069S614	O-ring (for C1-55583-X01)

Technical explanations

TECHNICAL EXPLANATIONS

Abbreviations/Definitions

For explanation of abbreviations and definitions of terms see applicable Technical Appendix of the corresponding catalog or www.weh.com

Illustrations

The illustrations and/or images used in these data sheet are particularly provided for illustrative purposes only and may differ in some details from the actual product. For binding information, please refer to your individual orders.

Safe product selection

Our WEH® Products are designed to be operated by qualified professional users (insofar as WEH® Products are also designed to be operated by other users in individual cases, this is explicitly stated in the corresponding operating instructions). Please note that WEH does not know your system and therefore - also due to the large number of different potential applications of WEH® Products - cannot perform tests on all potential types of application. You alone are responsible for the selection, configuration and suitability of WEH® Products, especially according to the requirements of your system. Before purchasing WEH® Products, please particularly ensure that our products are compatible with your intended use, your performance data, your material and fluids, your system concept and your system limits according to our product specifications. Please also consider your technical and legal requirements for operation, handling and maintenance. The quality and safety of WEH® Products is our highest priority. For this reason, WEH® Products may not be used outside the specifications in the relevant data sheets and product descriptions. If you are not sure whether the WEH® Product is suitable for your system and intended use, please contact us in advance. We also strongly recommend that you refrain from using third-party spare parts or a combination of WEH® Products with unsuitable third-party products. You alone are responsible for reviewing the suitability of third-party products. WEH® Products and WEH® Spare parts comply with our quality and safety standards.

Service life

WEH® Products are generally products which may be subject to wear and fatigue during operation and depending on your individual application/use. For details - in particular regarding the corresponding minimum inspection and maintenance intervals - please refer to the respective operating instructions for the WEH® Product.

Explanation on the Pressure Equipment Directive

These WEH® Products are generally classified as pressure accessories in accordance with Article 2 (5) of the Pressure Equipment Directive 2014/68/EU and are considered to be similar to piping. These WEH® Products may not be used as safety accessories. Furthermore, it is pointed out, that these WEH® Products are designed and placed on the market in accordance with the requirements of Article 4 (3) of the Pressure Equipment Directive 2014/68/EU. The assessment with regard to a different classification can, however, be made on request.

External change management

WEH reserves the right to update, optimise and adjust its products continuously. This may result in corresponding changes of the product. Customers will be informed proactively or unsolicited by WEH only in individual cases about product updates, product optimisations and/or product adaptations that have been carried out. You are free to contact WEH at any time to request information about any product updates, product optimisations and/or product adjustments.

© All rights reserved, WEH GmbH Verbindungstechnik.

Any unauthorized copying, distribution or other use of the copyrighted content is strictly forbidden without the written consent of WEH GmbH Verbindungstechnik.

Upon transmission of a newer version of this document, all previous versions are no longer valid. In principle, the latest version of the document is valid. This can be found at www.weh.com.

Our General Terms and Conditions and the Agreement on Protection of Know-How and Quality Assurance (www.weh.com) shall apply to deliveries and other services, unless expressly agreed otherwise.

We do not accept any General Terms and Conditions of the purchaser.

WEH® is a registered trademark of WEH GmbH Verbindungstechnik.

» Contact

More questions? – Great! Don't hesitate to contact our experts.

Manufacturer:

WEH GmbH Precision Connectors

Josef-Henle-Str. 1
89257 Illertissen / Germany

Phone: +49 7303 9609-0

E-Mail: sales@weh.com

Website: www.weh.com