

Type **TK6 H₂**

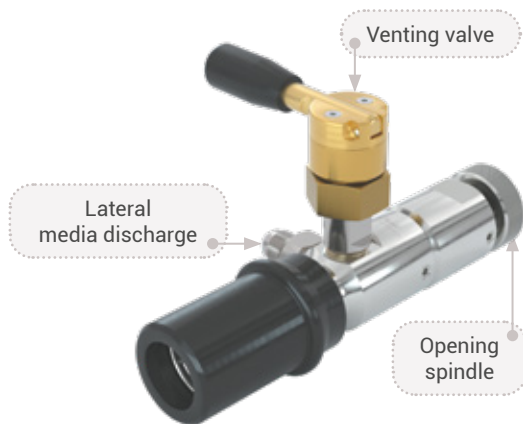
WEH[®] Defueling nozzle

for discharging hydrogen fuel tanks of cars via filling receptacle



General

DESCRIPTION



Features

- Discharge via filling port
- Actuation with opening spindle
- With venting valve (optionally also without venting valve)
- No additional shut-off device required
- Plastic thermal protection
- Only suitable for WEH® TN1 H₂ Receptacles without filter

The WEH® TK6 H₂ Defueling nozzle is used for maintenance and inspection of hydrogen vehicles. For maintenance, all pressure or fuel tanks must be discharged. WEH has designed the TK6 H₂ for easy connection and discharging of the hydrogen tanks.

The defueling nozzle is simply placed onto the receptacle in the car and the knurled spindle is screwed in until it stops. Then, the WEH® TN1 H₂ Receptacle is opened and the fuel tanks can be discharged via the lateral media discharge.

Application

Defueling nozzle for discharging hydrogen fuel tanks of cars via filling receptacle, only to be used with WEH® TN1 H₂ Receptacles without filter. Operation only by specially trained personnel. Not for self-service operation!

Attention: The TK6 H₂ may not be used for filling!

TECHNICAL DATA

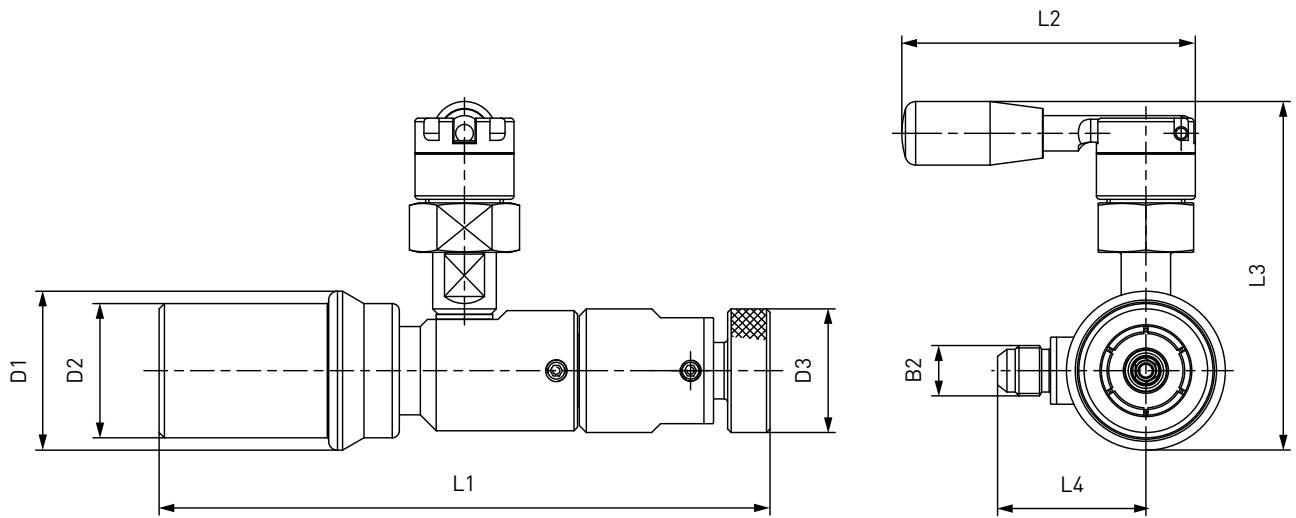
Characteristics	Basic version
Nominal bore (DN)	6 mm
Pressure range	PN = 35 MPa PS = 45 MPa
Media temperature range	-20 °C up to +85 °C
Ambient temperature range	-40 °C up to +85 °C
Material	Corrosion resistant
Sealing material	Hydrogen resistant
Design	With plastic thermal protection, opening spindle and venting valve
Weight	Approx. 1.2 kg

Other designs on request

Ordering

ORDERING | WEH® TK6 H₂ Defueling nozzle with venting valve

approx. dimensions (mm)



Part No.	Description	Pressure (PS)	B2 (male thread)	L1	L2	L3	L4	D1	D2	D3
C1-104732-X01	TK6 H ₂	45 MPa	UNF 9/16"-18*	min. 173 / max. 180	83	99	42	45	38	35

* acc. to SAE J514, 37° cone

ACCESSORIES

The following accessories are available for the WEH® TK6 H₂ Defueling nozzle:

Pressure hose

Pressure hose for connection to the defueling nozzle, complete with fittings and press-fittings supported by coil spring stubs. Not suitable for refueling with pre-cooled hydrogen acc. to SAE J2601. Design hose: max. operating pressure PS: 45 MPa / nominal bore (DN): 4.5 mm / media temperature range: -20 °C up to +90 °C

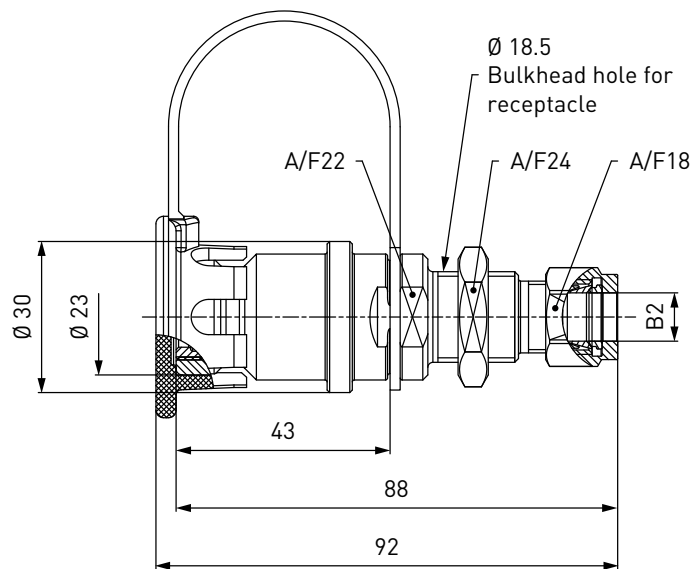


Part No.	B1/B2 (female thread)	Hose length
E68-60809	UNF 9/16"-18*	3 m
E68-60812	UNF 9/16"-18*	4 m
E68-60813	UNF 9/16"-18*	5 m

* acc. to SAE JIC, 37° cone

WEH® TN1 H₂ Receptacle with tube fitting, without filter

approx. dimensions (mm)



Part No.	Description	DN	Pressure (PS)	B2
C1-18481/4-X01	TN1 H ₂	8	45 MPa	Tube Ø 3/8**
C1-32456	TN1 H ₂ (EC79)	8	45 MPa	Tube Ø 10*

* double ferrule fitting

Accessories / Spare parts

WEH® TNS1 H₂ Service receptacle

To prevent damage in the defueling nozzle while purging or leak testing during maintenance in the course of which pressure is applied, we recommend the use of a service receptacle. The receptacle also protects the defueling nozzle from dirt ingress whilst not in use.



Part no.	Description
C1-157639	TNS1 H ₂ Service receptacle incl. protection cap

SPARE PARTS

Various parts are available as spares for the WEH® TK6 H₂ Defueling nozzle.



Part no.	Description
E80-111760	1 Sliding sleeve
E99-44923	Maintenance spray

Technical explanations

TECHNICAL EXPLANATIONS

Abbreviations/Definitions

For explanation of abbreviations and definitions of terms see applicable Technical Appendix of the corresponding catalog or www.weh.com

Illustrations

The illustrations and/or images used in these data sheet are particularly provided for illustrative purposes only and may differ in some details from the actual product. For binding information, please refer to your individual orders.

Safe product selection

Our WEH® Products are designed to be operated by qualified professional users (insofar as WEH® Products are also designed to be operated by other users in individual cases, this is explicitly stated in the corresponding operating instructions). Please note that WEH does not know your system and therefore - also due to the large number of different potential applications of WEH® Products - cannot perform tests on all potential types of application. You alone are responsible for the selection, configuration and suitability of WEH® Products, especially according to the requirements of your system. Before purchasing WEH® Products, please particularly ensure that our products are compatible with your intended use, your performance data, your material and fluids, your system concept and your system limits according to our product specifications. Please also consider your technical and legal requirements for operation, handling and maintenance. The quality and safety of WEH® Products is our highest priority. For this reason, WEH® Products may not be used outside the specifications in the relevant data sheets and product descriptions. If you are not sure whether the WEH® Product is suitable for your system and intended use, please contact us in advance. We also strongly recommend that you refrain from using third-party spare parts or a combination of WEH® Products with unsuitable third-party products. You alone are responsible for reviewing the suitability of third-party products. WEH® Products and WEH® Spare parts comply with our quality and safety standards.

Service life

WEH® Products are generally products which may be subject to wear and fatigue during operation and depending on your individual application/use. For details - in particular regarding the corresponding minimum inspection and maintenance intervals - please refer to the respective operating instructions for the WEH® Product.

Explanation on the Pressure Equipment Directive

These WEH® Products are generally classified as pressure accessories in accordance with Article 2 (5) of the Pressure Equipment Directive 2014/68/EU and are considered to be similar to piping. These WEH® Products may not be used as safety accessories. Furthermore, it is pointed out, that these WEH® Products are designed and placed on the market in accordance with the requirements of Article 4 (3) of the Pressure Equipment Directive 2014/68/EU. The assessment with regard to a different classification can, however, be made on request.

External change management

WEH reserves the right to update, optimise and adjust its products continuously. This may result in corresponding changes of the product. Customers will be informed proactively or unsolicited by WEH only in individual cases about product updates, product optimisations and/or product adaptations that have been carried out. You are free to contact WEH at any time to request information about any product updates, product optimisations and/or product adjustments.

© All rights reserved, WEH GmbH Verbindungstechnik.

Any unauthorized copying, distribution or other use of the copyrighted content is strictly forbidden without the written consent of WEH GmbH Verbindungstechnik.

Upon transmission of a newer version of this document, all previous versions are no longer valid. In principle, the latest version of the document is valid. This can be found at www.weh.com.

Our General Terms and Conditions and the Agreement on Protection of Know-How and Quality Assurance (www.weh.com) shall apply to deliveries and other services, unless expressly agreed otherwise.

We do not accept any General Terms and Conditions of the purchaser.

WEH® is a registered trademark of WEH GmbH Verbindungstechnik.

» Contact

More questions? – Great! Don't hesitate to contact our experts.

Manufacturer:

WEH GmbH Gas Technology

Josef-Henle-Str. 1

89257 Illertissen / Germany

Phone: +49 7303 95190-0

E-Mail: h2sales@weh.com

Website: www.weh.com